

**Cam switch AC
Model 32A**



Picture is an examples

**Standards: IEC 60947-1 & 3
Quality**

ISO 9001:2008		ISO 9001:2008 www.tuv.com ID 9105072142
---------------	---	---

Thermal current Ith	32A
Rated insulation voltage Ui	690V
Rated impulse withstand voltage Uimp	8KV

Ac rated operational current	Ie
415V AC21A	32A
415V AC22A	32A
690V AC21A	32A

AC Rated operational power	Pe.	
Voltage	Category of operation	
3x240V	AC23A	7.5
3x415V	AC23A	11
3x415V	AC3	7.5

Short-circuit behaviour	
Rated breaking capacity(400V:PF.45)	200A
Short-time withstand current (1 sec) (rms)	650A
Conditional short-circuit current (rms value)	10KA
Rated max.current of gL-gG fuses	32A
Mechanical durability (In millions)	1


Connection capacity	
Rigid copper conductor (mm ²)	2x6
Flexible copper conductor (mm ²)	2x4

Codes

Case size (A)	Scheme	Code	Color	Special
Size 1	3P ISO	T-0003230047	Black	Inter lock mechanism

Accessories
STD accessories

You will find detailed information about our products on our web site www.gtswitches.com

	AC & DC Switch 30047	GORLAN INDIA. Data subject to change without notice (printed: 08.06.2015)
---	-------------------------------------	---

Model TFG DC21B 40A 1000V 3+1



Picture is an examples

Electrical data (according to IEC 60947-3)

Thermal current I_{th}	50A	
Rated insulation voltage U _i (V)	1500	
Rated impulse withstand voltage U _{imp} (kV)	6	
DC Rated operational current I_e (A)		
Voltage (DC)	Category of operation	I_e
1000 V	DC21B	40

** Please consult for other voltages and/or category of operation

Standards: IEC 60947-1 & 3 Quality

ISO 9001:2008



Testing as per IEC 60947-3. Approvals

Austrian Institute of Technology



Short-circuit behaviour

Short-circuit making capacity (peak value)	I _{cm}	300A
Short-time withstand current (1 sec) (rms)	I _{cw}	300A
Short-time withstand current (1 hour) (I _{th} *1.25)		62.5A
Conditional short-circuit current (rms value)		N/A

Connection capacity

Rigid or Flex cable -w/o Sleeve (mm ²)	2x6
Rigid or Flex cable -with Sleeve (mm ²)	2x4
Crimp fork lug width (mm)	Min 6 - Max 10
Crimp fork lug Thick (mm)	Min 0.5 - Max 2
Fork lug (mm ²)	Type: ANE2U4 10
Fork lug (mm ²)	Type: ANE3U4 16
Tightening torque (Nm)	1.5-2

Mechanical data

Minimum number of operations (as per standard) without load	30000
Maximum weight (kg)	xxxx

Codes

Case size (A)	Scheme	Code	Special
Size 0	3+1	TFG1031E30047	Inter lock mechanism

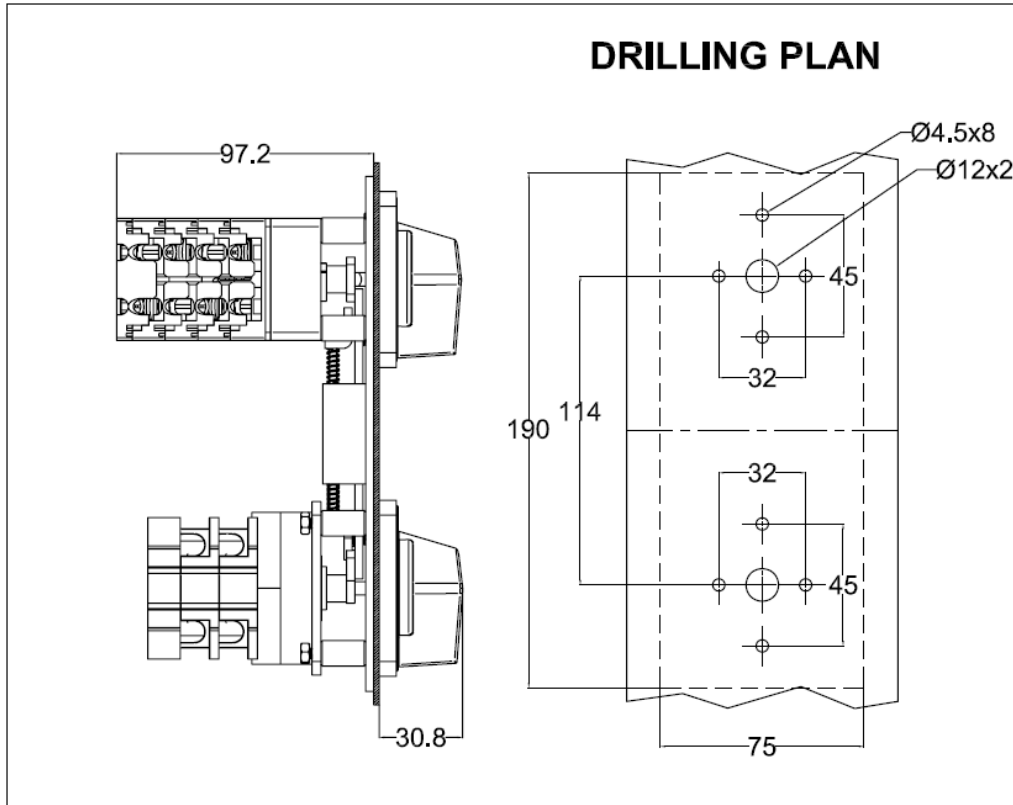
Accessories

STD accessories

You will find detailed information about our products on our web site www.gtswitches.com

	AC & DC Switch 30047	<small>GORLAN INDIA. Data subject to change without notice (printed: 08.06.2015)</small>
--	-------------------------------------	--

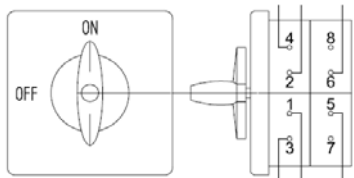
Dimension



Electrical diagram

AC Switch

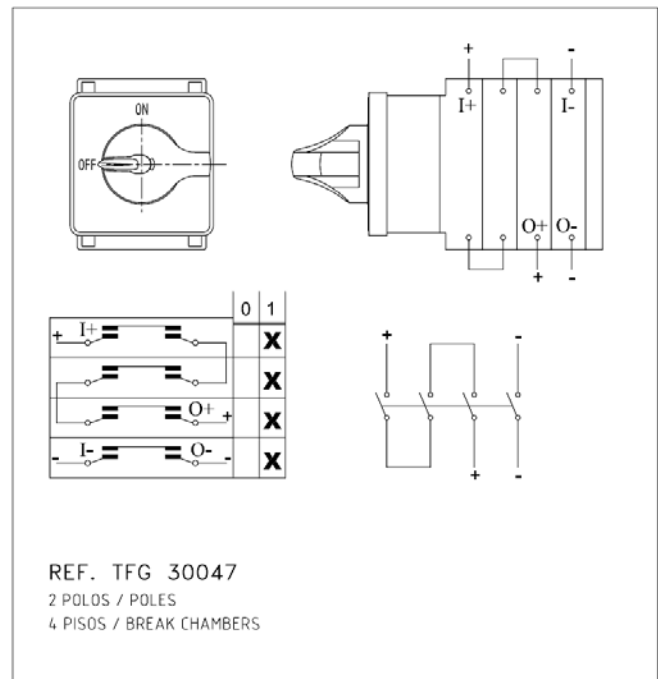
ELECTRICAL DIAGRAM No



	OFF	ON
1 = 2		X
3 = 4		X
5 = 6		X

Ref:32A 30047
 3 Pole ON-OFF
 2 break chambers

DC Switch



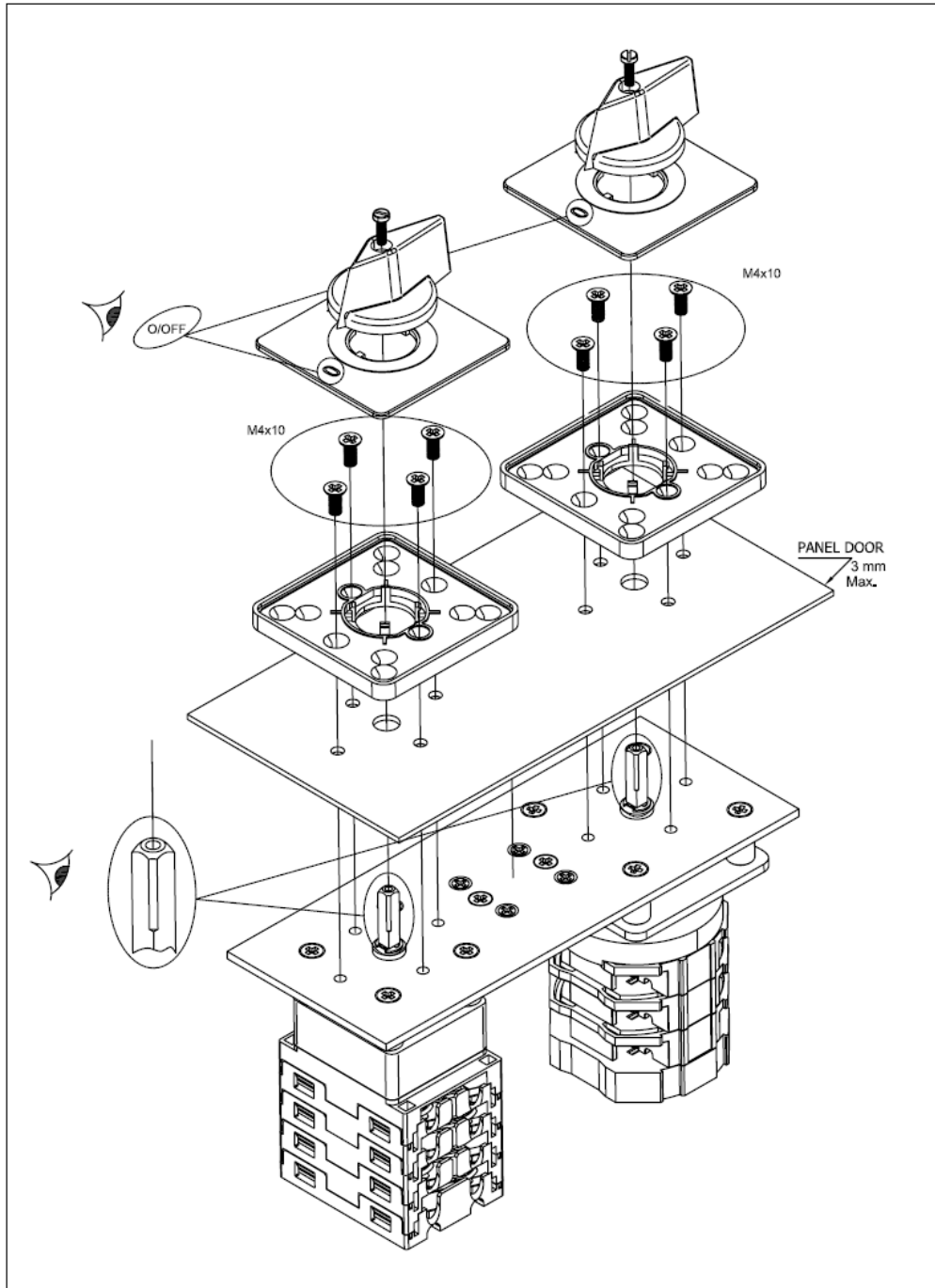
You will find detailed information about our products on our web site www.gtswitches.com



**AC & DC Switch
 30047**

*GORLAN INDIA.
 Data subject to change without
 notice (printed: 08.06.2015)*

Fixing



You will find detailed information about our products on our web site www.gtswitches.com



**AC & DC Switch
30047**

*GORLAN INDIA.
Data subject to change without
notice (printed: 08.06.2015)*