

Data sheet:

Cam switch AC Model 6A

gem telergon
gorlan team



Picture is an examples

Electrical data (according to IEC 60947-3)

Thermal current I_{th}(rating /contact)	12A
Rated insulation voltage U _i	500V
Rated impulse withstand voltage U _{imp}	4KV

Ac rated operational current, I_e

415V	AC21A	6A
415V	AC22A	9A
690V	AC21A	-

Standards: IEC 60947-1 & 3 Quality

ISO 9001:2008		ISO 9001:2008 www.tuv.com ID 9105034949
---------------	---	---

AC Rated operational power, P_e

Voltage (DC)	Category of operation	Per con.
3x240V	AC23A	1.5
3x415V	AC23A	2
3x415V	AC3	1.5

Short-circuit behaviour

Rated breaking capacity(400V:PF.45)	I _{cm}	-
Short-time withstand current (1 sec) (rms)	I _{cw}	-
Conditional short-circuit current (rms value)		3KA
Rated max.current of gL-gG fuses		6A
Mechanical durability (In millions)		1

Connection capacity

Rigid copper conductor (mm ²)	0.7-1.5
Flexible copper conductor (mm ²)	0.7-1.5


Codes

Case size (A)	Scheme	Code	Special
Size 00	VSS	T-0000600701ENB114	

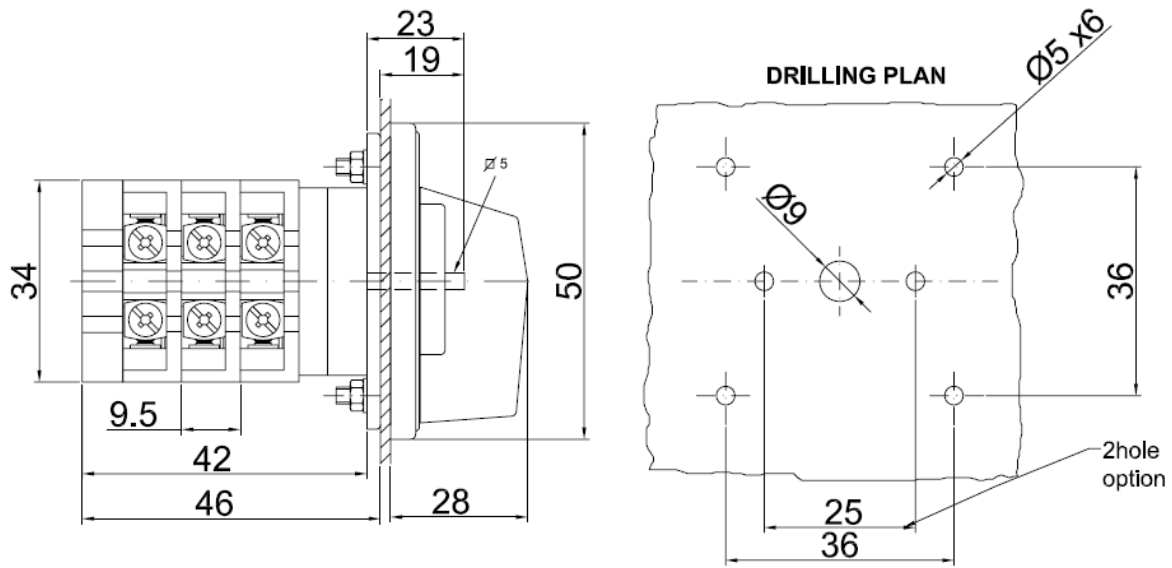
Accessories

STD accessories

You will find detailed information about our products on our web site www.gtswitches.com

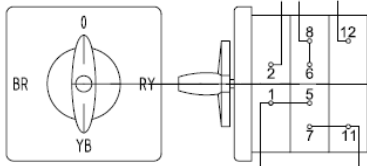
	Cam Switch T-0000600701ENB114	GEM TELERGON. Data subject to change without notice (printed: 26/11/2013)
---	--	---

Dimension



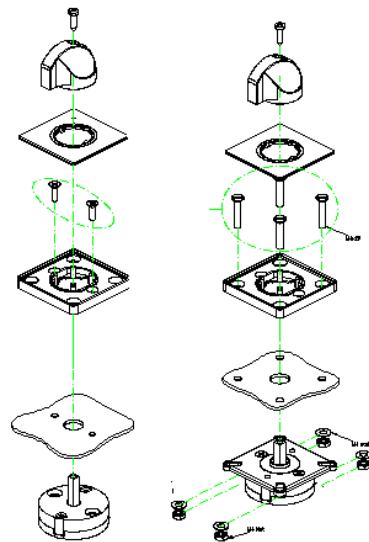
Electrical diagram & Fixing

ELECTRICAL DIAGRAM No



	0		RY		YB		BR
V1 1 — 2	Y		X		X		
5 — 6							X
7 — 8	R		X				
VZ 11 — 12	B				X		X

Ref: 6A 701
 VSS Switch
 3 break chambers



2 Hole option

4 Hole option

You will find detailed information about our products on our web site www.gtswitches.com



Cam Switch
 T-0000600701ENB114

GEM TELERGON.
 Data subject to change without
 notice (printed: 26/11/2013)