

## Data sheet:

### Breaker control switch AC Model T-1, 25A



Picture is an example

#### Standards: IEC 60947-1 & 3 Quality

ISO 9001:2008



#### Electrical data (according to IEC 60947-3)

<b>Thermal current I<sub>th</sub></b>	<b>32A</b>
Rated insulation voltage U <sub>i</sub> (V)	690
Rated impulse withstand voltage U <sub>imp</sub> (kV)	6
AC rated operational current, I <sub>e</sub>	25A
AC rated operational voltage U <sub>e</sub>	415V

AC Rated operational power, P <sub>e</sub>		
Voltage	Category of operation	P <sub>e</sub>
3x415 V	AC23A	11 kw
3x415V	AC3	7.5 KW

#### Short-circuit behaviour

Rated max.current of gL-gG fuses	25A
Conditional short-circuit current (rms value)	10KA

#### Connection capacity

Rigid copper conductor (mm <sup>2</sup> )	2x6
Flexible copper conductor (mm <sup>2</sup> )	2x4

#### Codes

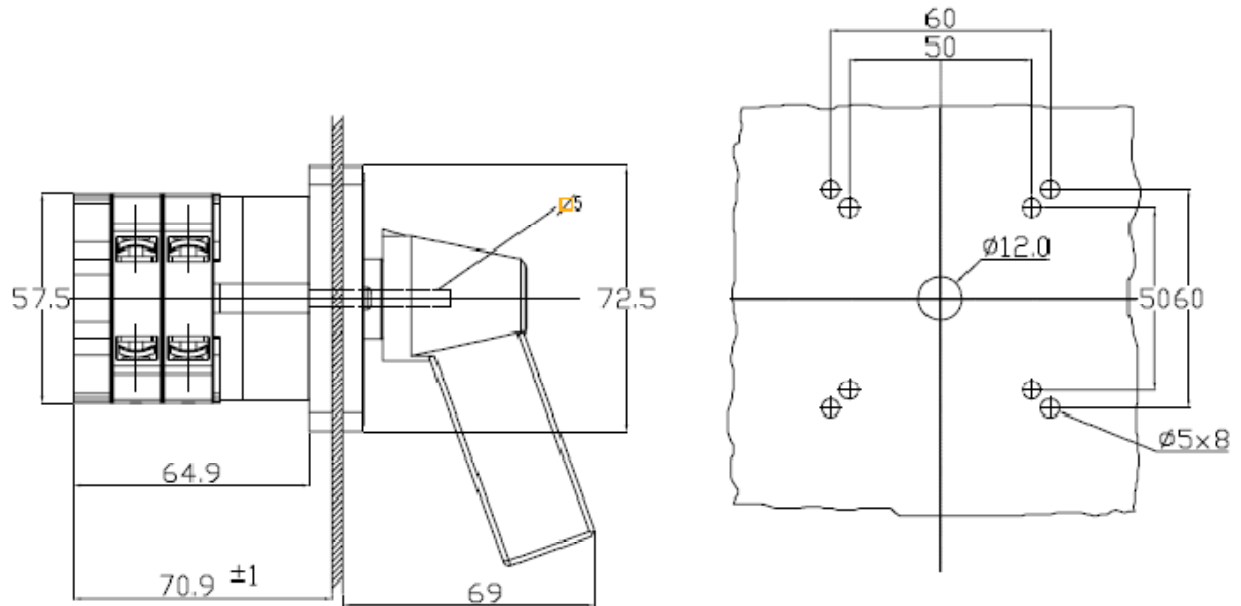
Case size (A)	Scheme	Code	Special
25	4P (2M+2LMD)	BC201L02003	NA

#### Accessories STD

You will find detailed information about our products on our web site [www.gtswitches.com](http://www.gtswitches.com)

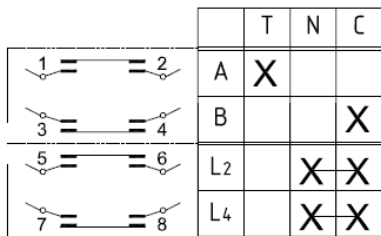
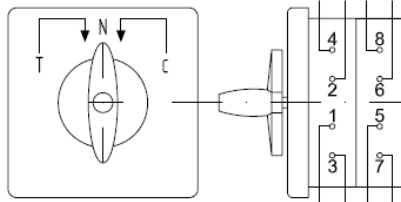
	<b>Breaker Control Switch BC201L02003</b>	<i>GORLAN INDIA. Data subject to change without notice (printed: 16/12/2014)</i>
--	---	--

## Dimension



## Electrical diagram & fixing

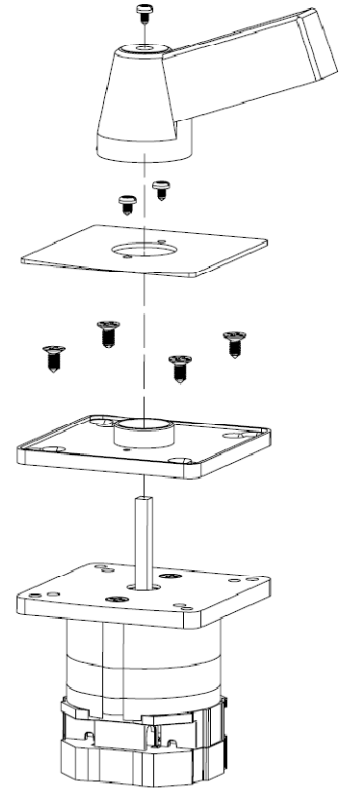
### ELECTRICAL DIAGRAM No:



Ref: BC201L02003

4P (2main+2LMD)

2 break chambers



You will find detailed information about our products on our web site [www.gtswitches.com](http://www.gtswitches.com)



**Breaker Control Switch**  
**BC201L02003**

GORLAN INDIA.  
Data subject to change without  
notice (printed: 16/12/2014)