

Data sheet:

Breaker control switch AC Model T-1, 25A



Picture is an example

Electrical data (according to IEC 60947-3)

Thermal current I_{th}	32A
Rated insulation voltage U _i (V)	690
Rated impulse withstand voltage U _{imp} (kV)	6
AC rated operational current, I _e	25A
AC rated operational voltage U _e	415V

AC Rated operational power, P_e		
Voltage	Category of operation	P_e
3x415 V	AC23A	11 kw
3x415V	AC3	7.5 KW

Standards: IEC 60947-1 & 3 Quality

ISO 9001:2008



Short-circuit behaviour

Rated max.current of gL-gG fuses	25A
Conditional short-circuit current (rms value)	10KA

Connection capacity

Rigid copper conductor (mm ²)	2x6
Flexible copper conductor (mm ²)	2x4

Codes

Case size (A)	Scheme	Code	Special
25	2nos on both side with SR	BC102P003	-

Accessories

With pad lock handle

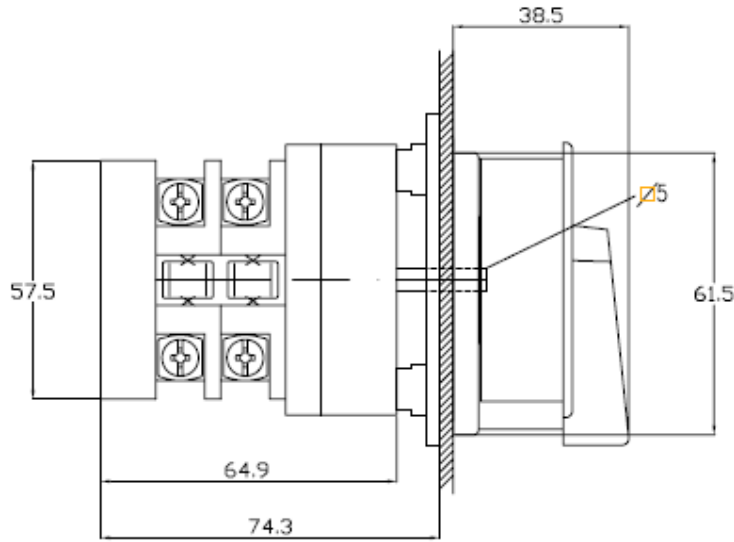
You will find detailed information about our products on our web site www.gtswitches.com



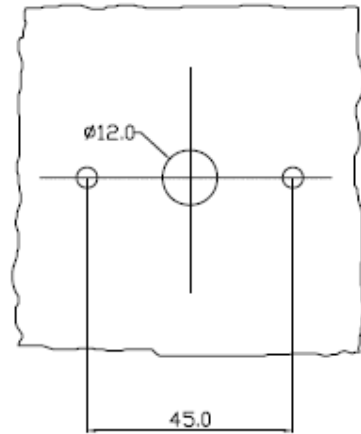
**Breaker Control Switch
BC102P003**

*GORLAN INDIA.
Data subject to change without
notice (printed: 20/05/2015)*

Dimension

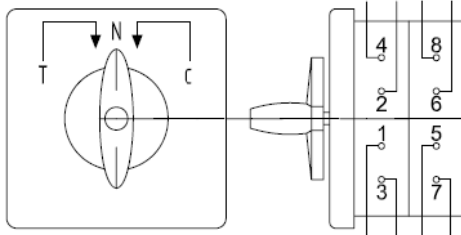


DRILLING PLAN



Electrical diagram & fixing

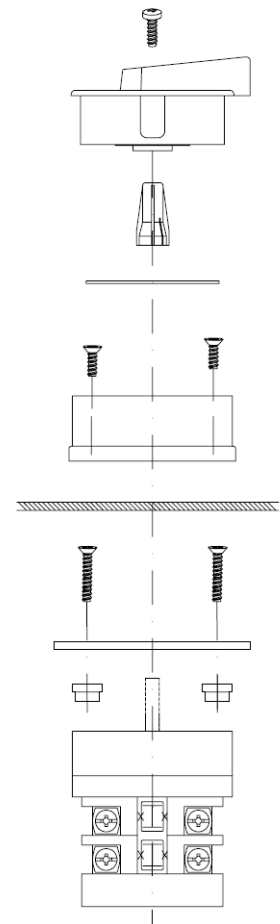
ELECTRICAL DIAGRAM No



	T	N	C
1-1 = 2	X		
2-3 = 4	X		
3-5 = 6			X
4-7 = 8			X

BCS

2 nos on both side
2 break chambers



You will find detailed information about our products on our web site www.gtswitches.com



Breaker Control Switch
BC102P003

GORLAN INDIA.
Data subject to change without
notice (printed: 20/05/2015)