

Data sheet:

Breaker control switch AC Model T-1, 25A



Picture is an example

**Standards: IEC 60947-1 & 3
Quality**

ISO 9001:2008



Electrical data (according to IEC 60947-3)

Thermal current I_{th}	32A
Rated insulation voltage U _i (V)	690
Rated impulse withstand voltage U _{imp} (kV)	6
AC rated operational current, I _e	25A
AC rated operational voltage U _e	415V

AC Rated operational power, P_e		
Voltage	Category of operation	P_e
3x415 V	AC23A	11 kw
3x415V	AC3	7.5 KW

Short-circuit behaviour

Rated max.current of gL-gG fuses	25A
Conditional short-circuit current (rms value)	10KA

Connection capacity

Rigid copper conductor (mm ²)	2x6
Flexible copper conductor (mm ²)	2x4

Codes

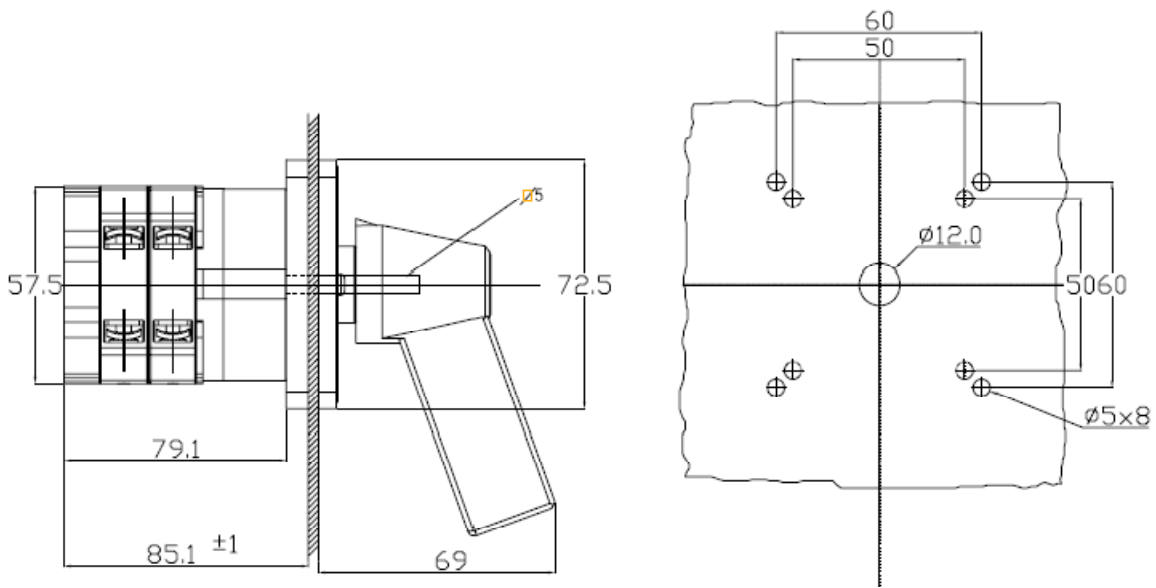
Case size (A)	Scheme	Code	Special
Size 1-32A	4P (3M+1LMD)	BC201L013-1	50mm mounting

Accessories
STD

You will find detailed information about our products on our web site www.gtswitches.com

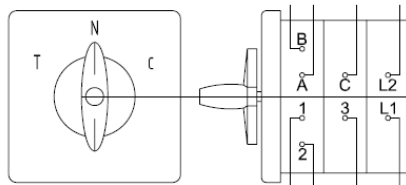
	Breaker Control Switch BC201L013-1	<i>GORLAN INDIA. Data subject to change without notice (printed: 14/07/2014)</i>
--	---	--

Dimension



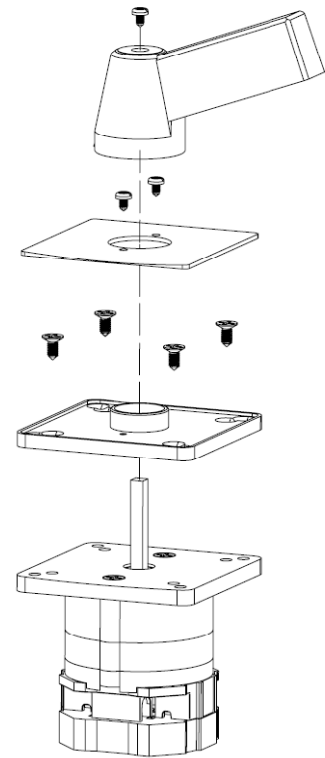
Electrical diagram & fixing

ELECTRICAL DIAGRAM



	T	N	C
1 = A	X		
2 = B			X
3 = C		X	
L1 = L2		X	X

Ref: BC201L013-1
 4P (3main+1LMD)
 3 break chambers



You will find detailed information about our products on our web site www.gtswitches.com



**Breaker Control Switch
 BC201L013-1**

GORLAN INDIA.
 Data subject to change without
 notice (printed: 14/07/2014)