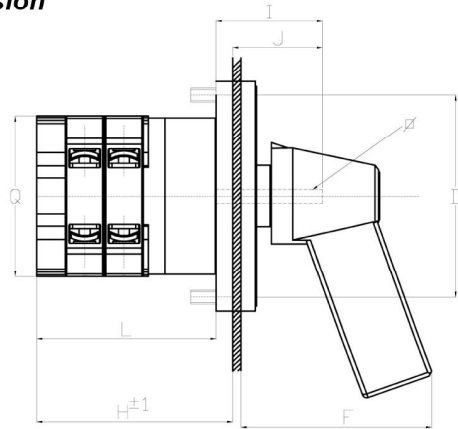
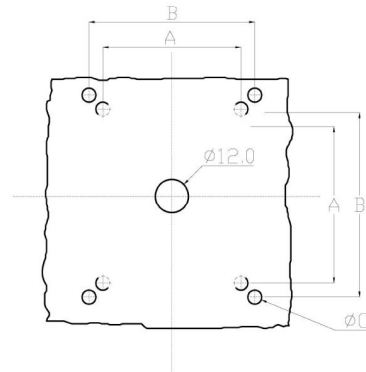


BCS - Dimension



DRILLING PLAN



Model	Amps	A	B	D	F	I	J	Q	∅	∅C	CH
T-1	25 A	50	60	72.5	69	38.5	32.5	57.5	5	5	14.2

Model	Amps	Size	1	2	3	4	5	6	7	8	9	10	11	12
Spring Return	25 A	L	50.7	64.9	79.1	93.3	107.5	121.7	135.9	150.1	164.3	178.5	192.7	206.9
		H	56.7	70.9	85.1	99.3	113.5	127.7	141.9	156.1	170.3	184.5	198.7	212.9
With seq lock	25 A	L	61.7	75.9	90.1	104.3	118.5	132.7	146.9	161.1	175.3	189.5	203.7	217.9
		H	67.7	81.9	96.1	110.3	124.5	138.7	152.9	167.1	181.3	195.5	209.7	223.9