

Data sheet:

Cam switch AC Model 100A



Picture is an examples

Standards: IEC 60947-1 & 3
Quality

ISO 9001:2008



ISO 9001:2008

www.tuv.com
ID 9105072142

Electrical data (according to IEC 60947-3)

Thermal current I_{th}	100A
Rated insulation voltage U _i	690V
Rated impulse withstand voltage U _{imp}	8kV

Ac rated operational current	I_e
415V AC21A	100A
415V AC22A	100A
690V AC21A	80A

AC Rated operational power	Category of operation	Pe.
3x240V	AC23A	22
3x415V	AC23A	37
3x415V	AC3	30

Short-circuit behaviour	
Rated breaking capacity(400V:PF.45)	504A
Short-time withstand current (1 sec) (rms)	1600A
Conditional short-circuit current (rms value)	15KA
Rated max.current of gL-gG fuses	80A
Mechanical durability (In millions)	1

Connection capacity	
Rigid copper conductor (mm ²)	16/25*
Flexible copper conductor (mm ²)	-----
*with extension terminals	

Codes

Case size (A)	Scheme	Code	Color	Special
Size 2	2P CHO	T-0010000401ENRD14	Red	N/A

Accessories
STD

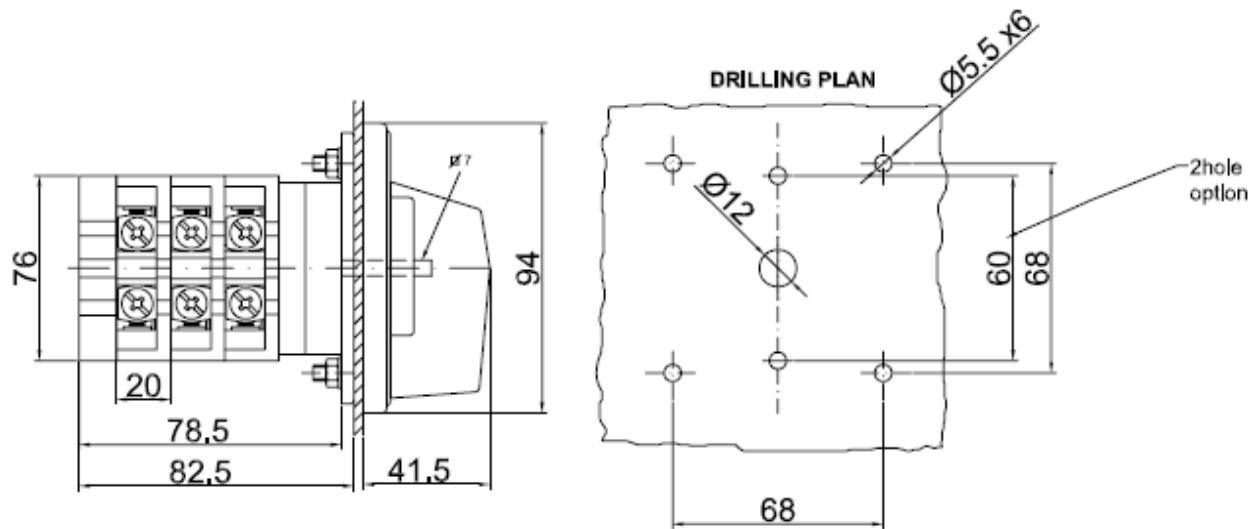
You will find detailed information about our products on our web site www.gtswitches.com



Cam Switch
T-0010000401ENRD14

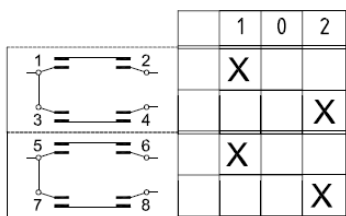
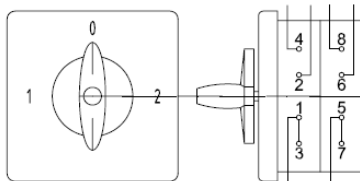
GORLAN INDIA.
Data subject to change without
notice (printed:28/01/2015)

Dimension

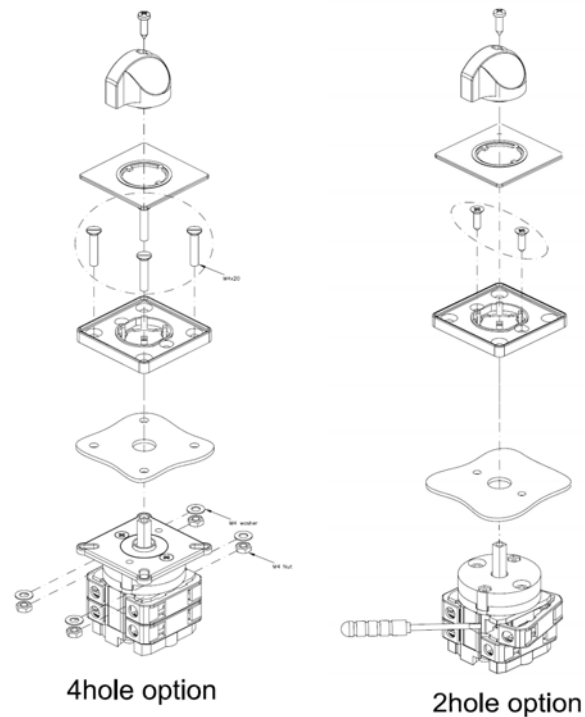


Electrical diagram & Fixing

ELECTRICAL DIAGRAM No



Ref: 100A 401
 2P CHO Switch
 2 break chambers



You will find detailed information about our products on our web site www.gtswitches.com



Cam Switch
 T-0010000401ENRD14

GORLAN INDIA.
 Data subject to change without
 notice (printed:28/01/2015)