

## Data sheet:

### Breaker control switch AC Model T-1, 25A



Picture is an example

#### Standards: IEC 60947-1 & 3 Quality

ISO 9001:2008



ISO 9001:2008

www.tuv.com  
ID 9105072142

#### Electrical data (according to IEC 60947-3)

<b>Thermal current I<sub>th</sub></b>	<b>32A</b>
Rated insulation voltage U <sub>i</sub> (V)	690
Rated impulse withstand voltage U <sub>imp</sub> (kV)	6
AC rated operational current, I <sub>e</sub>	25A
AC rated operational voltage U <sub>e</sub>	415V

<b>AC Rated operational power, P<sub>e</sub></b>		
<b>Voltage</b>	<b>Category of operation</b>	<b>P<sub>e</sub></b>
3x415 V	AC23A	11 kw
3x415V	AC3	7.5 KW

#### Short-circuit behaviour

Rated max.current of gL-gG fuses	25A
Conditional short-circuit current (rms value)	10KA

#### Connection capacity

Rigid copper conductor (mm <sup>2</sup> )	2x6
Flexible copper conductor (mm <sup>2</sup> )	2x4

#### Codes

<b>Case size (A)</b>	<b>Scheme</b>	<b>Code</b>	<b>Special</b>
Size 1-32A	4P (2M+2LMD)	BC201L01253	50mm mounting

#### Accessories

STD

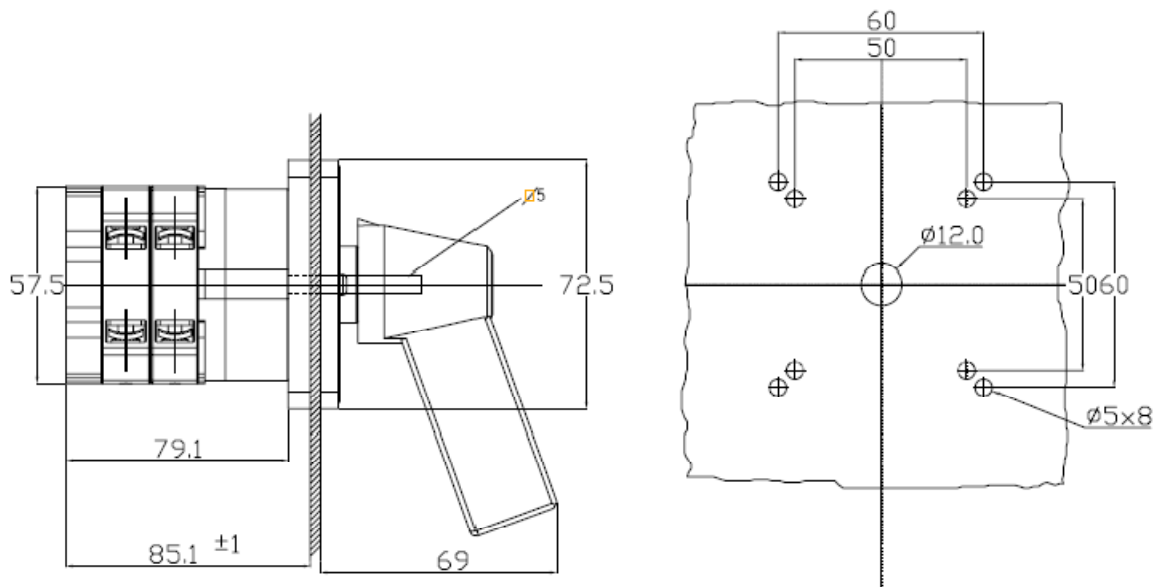
You will find detailed information about our products on our web site [www.gtswitches.com](http://www.gtswitches.com)



**Breaker Control Switch  
BC201L01253**

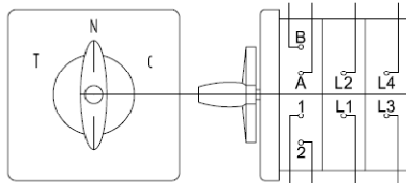
GORLAN INDIA.  
Data subject to change without  
notice (printed: 14/07/2014)

## Dimension



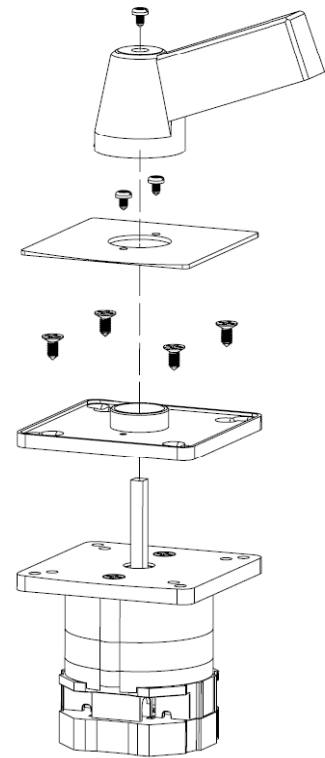
## Electrical diagram & fixing

### ELECTRICAL DIAGRAM



	T	N	C
1 = A	X		
2 = B			X
L1 = L2		X	X
L3 = L4	X	X	

Ref: BC201L01253  
 4P (2main+2LMD)  
 3 break chambers



You will find detailed information about our products on our web site [www.gtswitches.com](http://www.gtswitches.com)



**Breaker Control Switch**  
**BC201L01253**

GORLAN INDIA.  
 Data subject to change without  
 notice (printed: 14/07/2014)