

Data sheet:

Breaker control switch AC Model T-1, 25A



Picture is an example

Standards: IEC 60947-1 & 3 Quality

ISO 9001:2008



Electrical data (according to IEC 60947-3)

Thermal current I_{th}	32A
Rated insulation voltage U _i (V)	690
Rated impulse withstand voltage U _{imp} (kV)	6
AC rated operational current, I _e	25A
AC rated operational voltage U _e	415V

AC Rated operational power, P_e

Voltage	Category of operation	P _e
3x415 V	AC23A	11 kw
3x415V	AC3	7.5 KW

Short-circuit behaviour

Rated max.current of gL-gG fuses	25A
Conditional short-circuit current (rms value)	10KA

Connection capacity

Rigid copper conductor (mm ²)	2x6
Flexible copper conductor (mm ²)	2x4

DC rating

24V	25A
-----	-----

Codes

Case size (A)	Scheme	Code	Special
25	2nos on both side	BC402L003	NA

Accessories

With pistol grip handle
With sequence lock

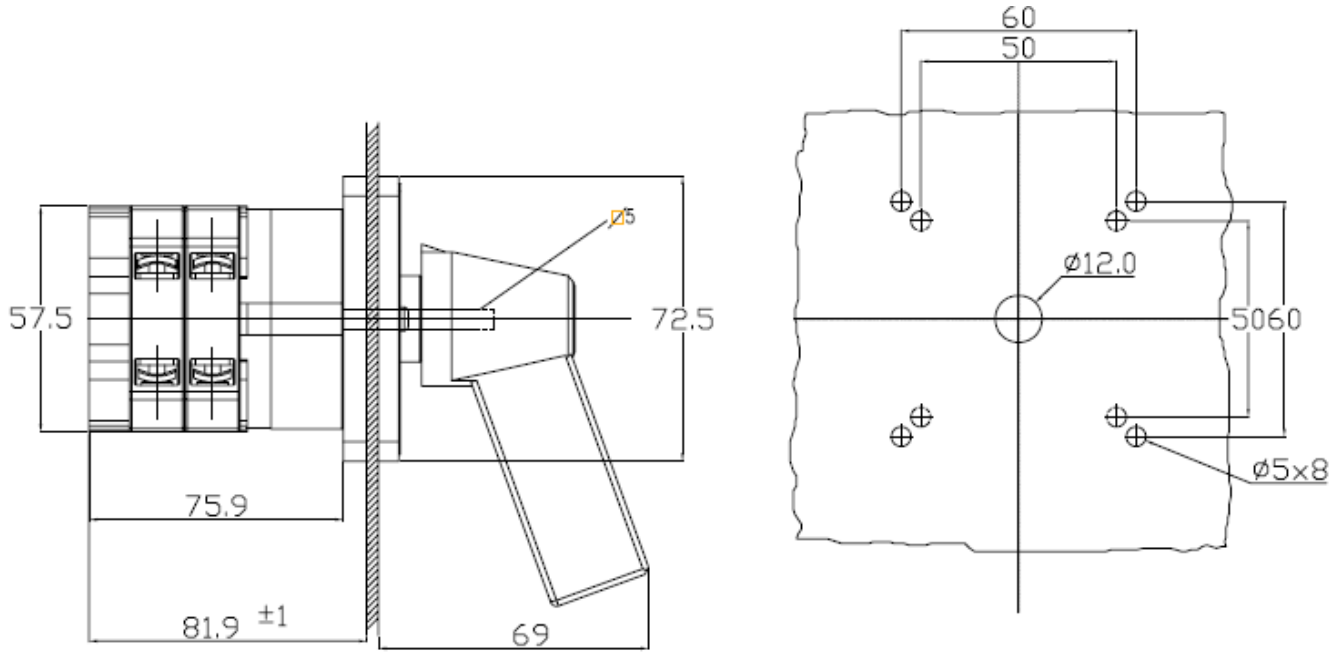
You will find detailed information about our products on our web site www.gtswitches.com



**Breaker Control Switch
BC402L003**

GORLAN INDIA.
Data subject to change without
notice (printed: 29/12/2014)

Dimension



Electrical diagram & fixing

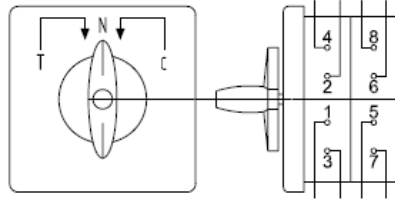
You will find detailed information about our products on our web site www.gtswitches.com



**Breaker Control Switch
BC402L003**

*GORLAN INDIA.
Data subject to change without
notice (printed: 29/12/2014)*

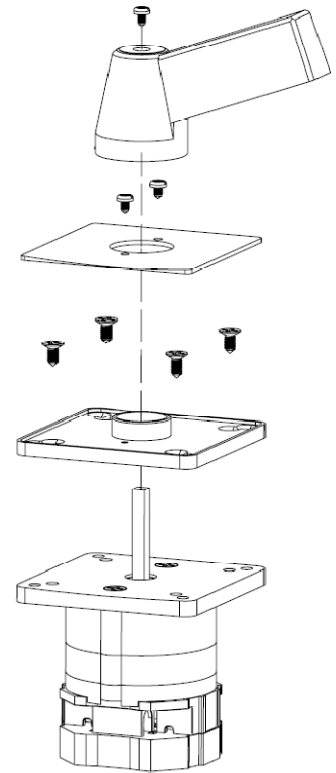
ELECTRICAL DIAGRAM No



	T	N	C
1 1 — 2	X		
2 3 — 4	X		
3 5 — 6			X
4 7 — 8			X

BCS

*2 nos on both side
2 break chambers*



You will find detailed information about our products on our web site www.gtswitches.com



**Breaker Control Switch
BC402L003**

*GORLAN INDIA.
Data subject to change without
notice (printed: 29/12/2014)*