

Data sheet:

Cam switch AC Model 10A



Picture is an examples

Standards: IEC 60947-1 & 3
Quality

ISO 9001:2008



ISO 9001:2008

www.tuv.com
ID 9105072142

Electrical data (according to IEC 60947-3)

Thermal current I_{th}	15A
Rated insulation voltage U _i	500V
Rated impulse withstand voltage U _{imp}	4kV

Ac rated operational current	I_e
415V AC21A	10A
415V AC22A	12A

AC Rated operational power	Pe.	
Voltage	Category of operation	
3x240V	AC23A	1.75
3x415V	AC23A	3
3x415V	AC3	1.5

Short-circuit behaviour

Rated breaking capacity(400V:PF.45)	I _{cm}	-
Short-time withstand current (1 sec) (rms)	I _{cw}	-
Conditional short-circuit current (rms value)		3KA
Rated max.current of gL-gG fuses		10A
Mechanical durability (In millions)		1

Connection capacity

Rigid copper conductor (mm ²)	0.7-1.5
Flexible copper conductor (mm ²)	0.7-1.5

Codes

Case size (A)	Scheme	Code	Special
Size 00	ASS	T-0001010070	N/A

Accessories

With accessories kit (2hole)

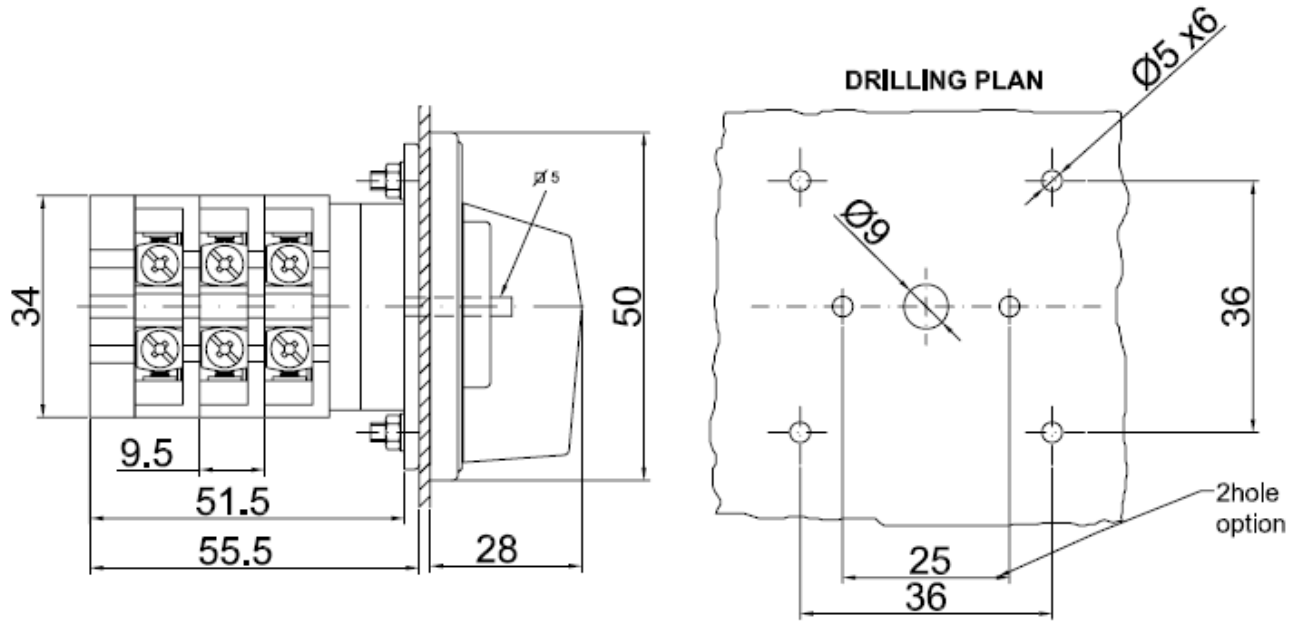
You will find detailed information about our products on our web site www.gtswitches.com



Cam Switch
T-0001010070

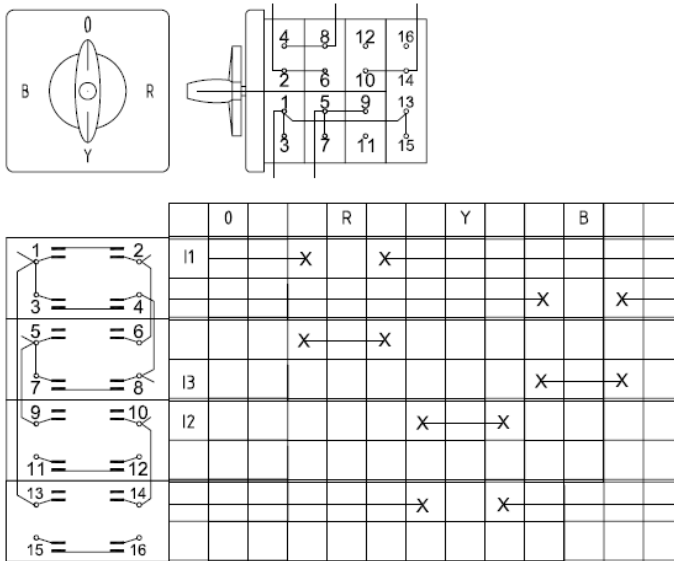
GORLAN INDIA.
Data subject to change without
notice (printed:15.12.2014)

Dimension



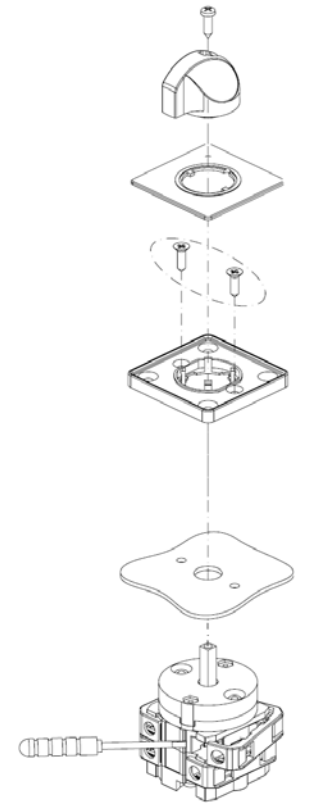
Electrical diagram & Fixing

ELECTRICAL DIAGRAM :



Ref: 10A 10070

4 break chambers



2hole option

You will find detailed information about our products on our web site www.gtswitches.com



Cam Switch
T-0001010070

GORLAN INDIA.
Data subject to change without
notice (printed:15.12.2014)