

**Cam switch AC
Model T100**



Picture is an examples

**Standards: IEC 60947-1 & 3
Quality**

| | | |
|---------------|--|---|
| ISO 9001:2008 | | ISO 9001:2008 www.tuv.com ID 9105072142 |
|---------------|--|---|

| | |
|--------------------------------------|-------------|
| Thermal current Ith | 125A |
| Rated insulation voltage Ui | 690V |
| Rated impulse withstand voltage Uimp | 8KV |

| | |
|-------------------------------------|-----------|
| Ac rated operational current | Ie |
| 415V AC21A | 125A |
| 415V AC22A | 115A |
| 690V AC21A | 115A |

| | | |
|-----------------------------------|------------------------------|----|
| AC Rated operational power | Pe. | |
| Voltage | Category of operation | |
| 3x240V | AC23A | 30 |
| 3x415V | AC23A | 45 |
| 3x415V | AC3 | 37 |

| | |
|---|-------|
| Short-circuit behaviour | |
| Rated breaking capacity(400V:PF.45) | 640A |
| Short-time withstand current (1 sec) (rms) | 2500A |
| Conditional short-circuit current (rms value) | 15KA |
| Rated max.current of gL-gG fuses | 125A |
| Mechanical durability (In millions) | 1 |

| | |
|--|-------|
| Connection capacity | |
| Rigid copper conductor (mm ²) | 35/50 |
| Flexible copper conductor (mm ²) | 16/35 |

Codes

| Case size (A) | Scheme | Code | Color | Special |
|---------------|--------|---------------|-------|----------------------|
| Size 1 | 3P ISO | T-0010030047C | Black | Inter lock mechanism |

Accessories
STD accessories

You will find detailed information about our products on our web site www.gtswitches.com

| | | |
|--|--|---|
| | AC & DC Switch T-0010030047 | GORLAN INDIA. Data subject to change without notice (printed: 27.11.2015) |
|--|--|---|

Model TFG DC21B 60A 1000V 3+1 2 string



Picture is an examples

Electrical data (according to IEC 60947-3)

| | | |
|---|------------------------------|----------------------|
| Thermal current I_{th} | 50A | |
| Rated insulation voltage U _i (V) | 1500 | |
| Rated impulse withstand voltage U _{imp} (kV) | 6 | |
| DC Rated operational current I_e (A) | | |
| Voltage (DC) | Category of operation | I_e |
| 1000 V | DC21B | 60 |

** Please consult for other voltages and/or category of operation

Standards: IEC 60947-1 & 3 Quality

ISO 9001:2008



ISO 9001:2008

www.tuv.com
ID 9105072142

Testing as per IEC 60947-3. Approvals

Austrian Institute of
Technology



Short-circuit behaviour

| | | |
|---|-----------------|-------|
| Short-circuit making capacity (peak value) | I _{cm} | 300A |
| Short-time withstand current (1 sec) (rms) | I _{cw} | 300A |
| Short-time withstand current (1 hour) (I _{th} *1.25) | | 62.5A |
| Conditional short-circuit current (rms value) | | N/A |

Connection capacity

| | |
|---|------------------------|
| Rigid or Flex cable -w/o Sleeve (mm ²) | 2x6 |
| Rigid or Flex cable -with Sleeve (mm ²) | 2x4 |
| Crimp fork lug width (mm) | Min 6 - Max 10 |
| Crimp fork lug Thick (mm) | Min 0.5 - Max 2 |
| Fork lug (mm ²) | Type: ANE2U4 10 |
| Fork lug (mm ²) | Type: ANE3U4 16 |
| Tightening torque (Nm) | 1.5-2 |

Mechanical data

| | |
|---|-------|
| Minimum number of operations (as per standard) without load | 30000 |
| Maximum weight (kg) | xxxx |

Codes

| Case size (A) | Scheme | Code | Special |
|---------------|--------|------------------|----------------------|
| Size 0 | 3+1 | TFG1031(2)E30047 | Inter lock mechanism |

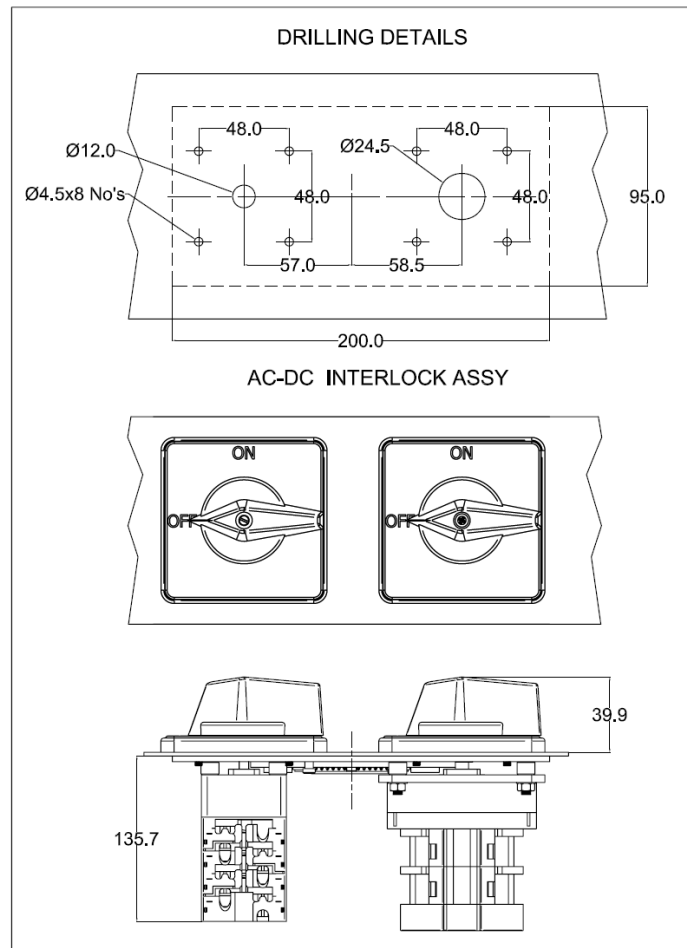
Accessories

STD accessories

You will find detailed information about our products on our web site www.gtswitches.com

| | | |
|--|--|--|
| | AC & DC Switch T-0010030047 | <i>GORLAN INDIA.</i> <i>Data subject to change without notice (printed: 27.11.2015)</i> |
|--|--|--|

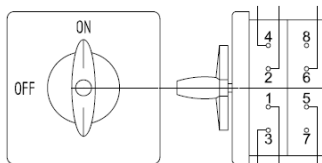
Dimension



Electrical diagram

AC Switch

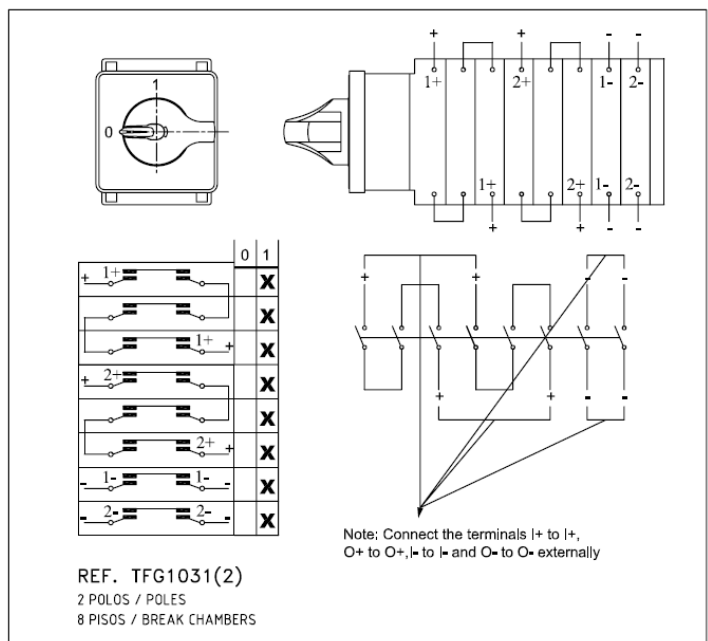
ELECTRICAL DIAGRAM No



| | OFF | ON |
|-------|-----|----|
| 1 = 2 | | X |
| 3 = 4 | | X |
| 5 = 6 | | X |

Ref:T100 30047
 3 Pole ON-OFF
 2 break chambers

DC Switch



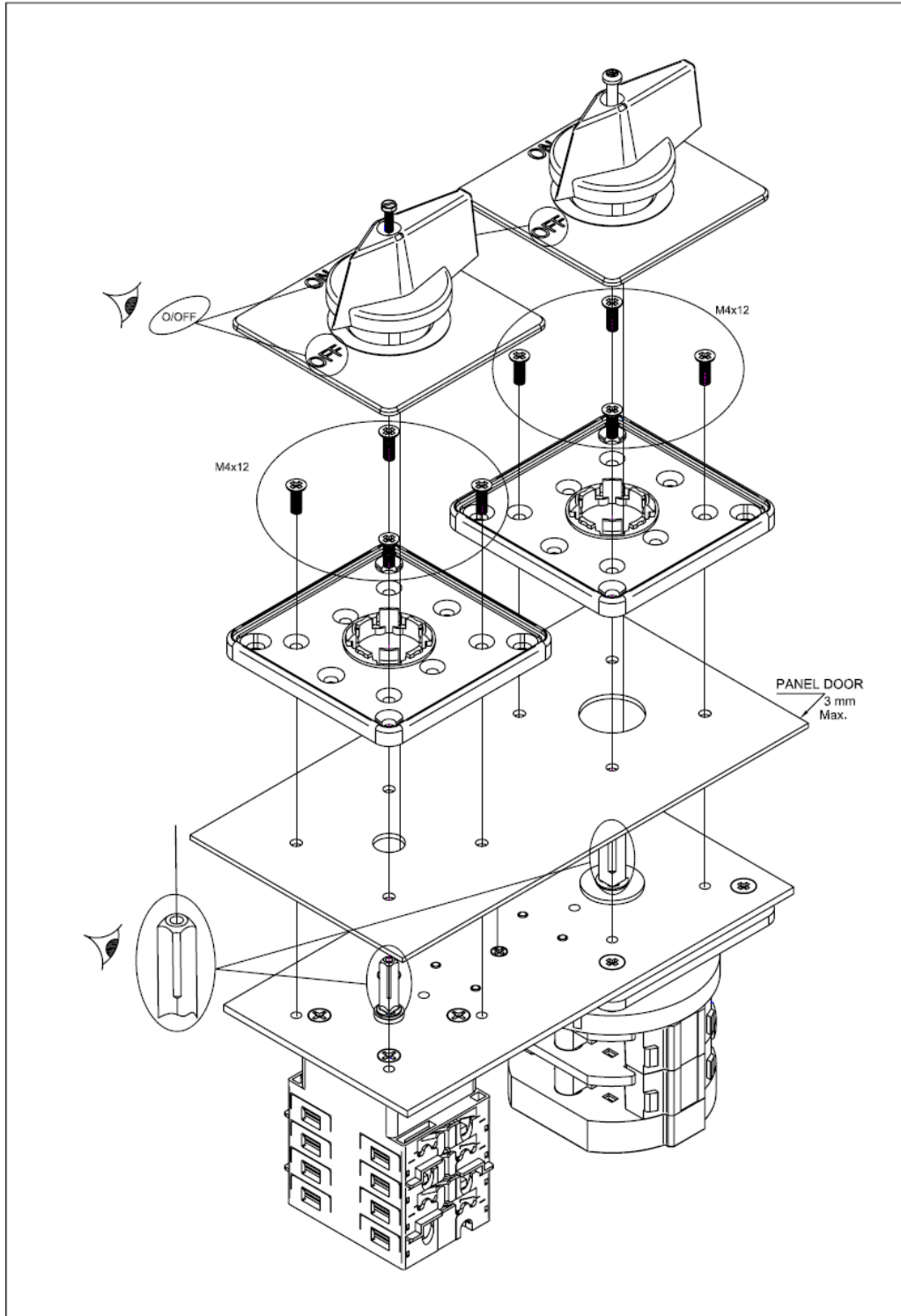
You will find detailed information about our products on our web site www.gtswitches.com



AC & DC Switch
T-0010030047

GORLAN INDIA.
 Data subject to change without
 notice (printed: 27.11.2015)

Fixing



You will find detailed information about our products on our web site www.gtswitches.com



AC & DC Switch
T-0010030047

GORLAN INDIA.
Data subject to change without
notice (printed: 27.11.2015)