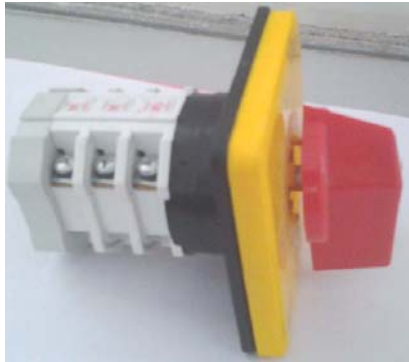


Data sheet:**Cam switch AC
Model 6A***Picture is an examples*
**Standards: IEC 60947-1 & 3
Quality**

ISO 9001:2008



ISO 9001:2008

www.tuv.com
ID 9105034949**Electrical data (according to IEC 60947-3)**

Thermal current I_{th}	12A
Rated insulation voltage U _i	500V
Rated impulse withstand voltage U _{imp}	4KV

Ac rated operational current	I_e
415V AC21A	6A
415V AC22A	9A

AC Rated operational power	Category of operation	P_e
3x240V	AC23A	1.5kw
3x415V	AC23A	2kw
3x415V	AC3	1.5kw

Short-circuit behaviour

Rated breaking capacity(400V:PF.45)	I _{cm}	-
Short-time withstand current (1 sec) (rms)	I _{cw}	-
Conditional short-circuit current (rms value)		3KA
Rated max.current of gL-gG fuses		6A
Mechanical durability (In millions)		1

Connection capacity

Rigid copper conductor (mm ²)	0.7-1.5
Flexible copper conductor (mm ²)	0.7-1.5

Codes

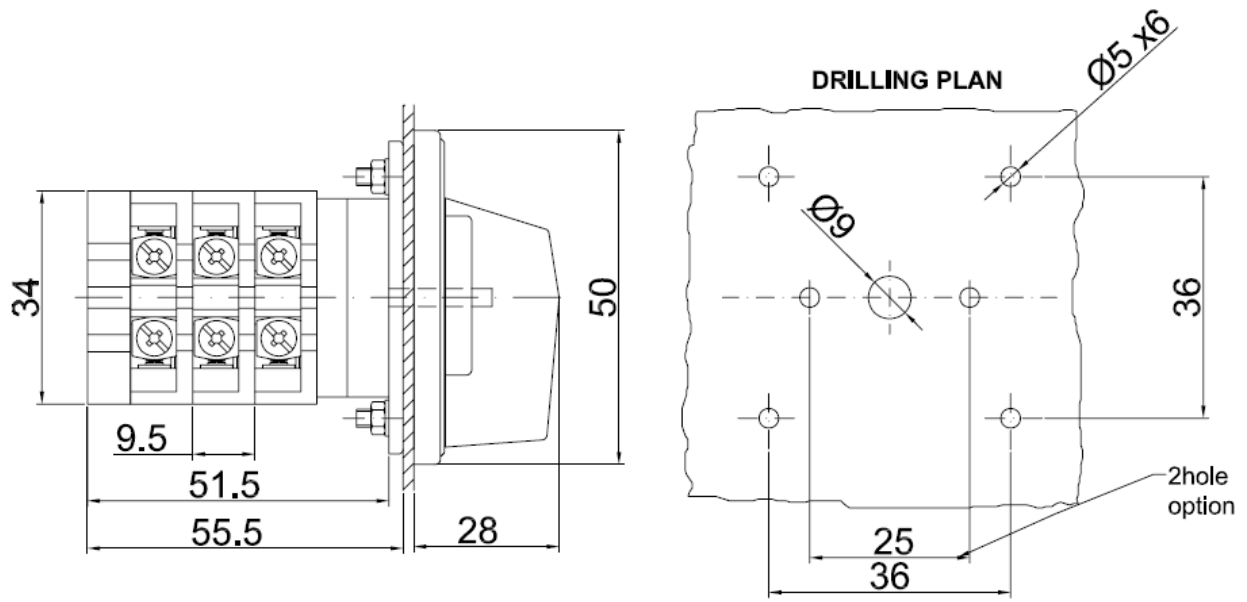
Case size (A)	Scheme	Code	Special
Size 00	2P 4W no off	T-0000600521ENRD14	N/A

Accessories

STD accessories

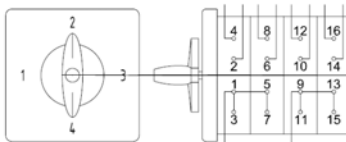
You will find detailed information about our products on our web site www.gtswitches.com
**Cam Switch
T-0000600521ENRD14**
GEM TELERGON.
 Data subject to change without
 notice (printed:31.03.14)

Dimension



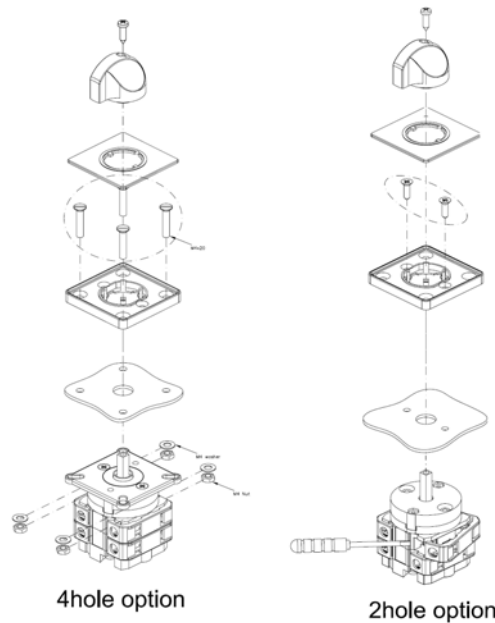
Electrical diagram & Fixing

ELECTRICAL DIAGRAM No



	1	2	3	4
1 = 2	X			
3 = 4			X	
5 = 6		X		
7 = 8				X
9 = 10	X			
11 = 12			X	
13 = 14		X		
15 = 16				X

Ref: 6A 521
 2P 4Way No off Switch
 4 break chambers



You will find detailed information about our products on our web site www.gtswitches.com



Cam Switch
T-0000600521ENRD14

GEM TELERGON.
 Data subject to change without
 notice (printed:31.03.14)