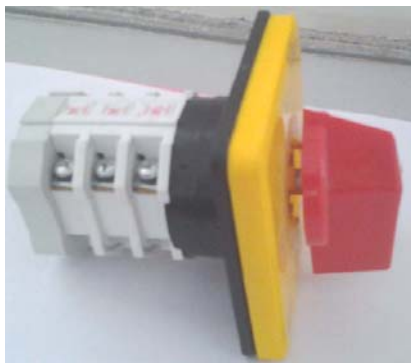


Data sheet:

Cam switch AC Model 6A

gem telergon
gorlan team



Picture is an examples

Standards: IEC 60947-1 & 3 Quality

ISO 9001:2008		ISO 9001:2008 www.tuv.com ID 9105072142
---------------	---	---

Electrical data (according to IEC 60947-3)

Thermal current I_{th}	12A
Rated insulation voltage U _i	500V
Rated impulse withstand voltage U _{imp}	4KV

Ac rated operational current	I_e
415V AC21A	6A
415V AC22A	9A

AC Rated operational power	Category of operation	Pe.
3x240V	AC23A	1.5
3x415V	AC23A	2
3x415V	AC3	1.5

Short-circuit behaviour

Rated breaking capacity(400V:PF.45)	I _{cm}	-
Short-time withstand current (1 sec) (rms)	I _{cw}	-
Conditional short-circuit current (rms value)		3KA
Rated max.current of gL-gG fuses		6A
Mechanical durability (In millions)		1

Connection capacity

Rigid copper conductor (mm ²)	0.7-1.5
Flexible copper conductor (mm ²)	0.7-1.5


Codes

Case size (A)	Scheme	Code	Special
Size 00	2P CHO	T-0000600406ENRD11	N/A

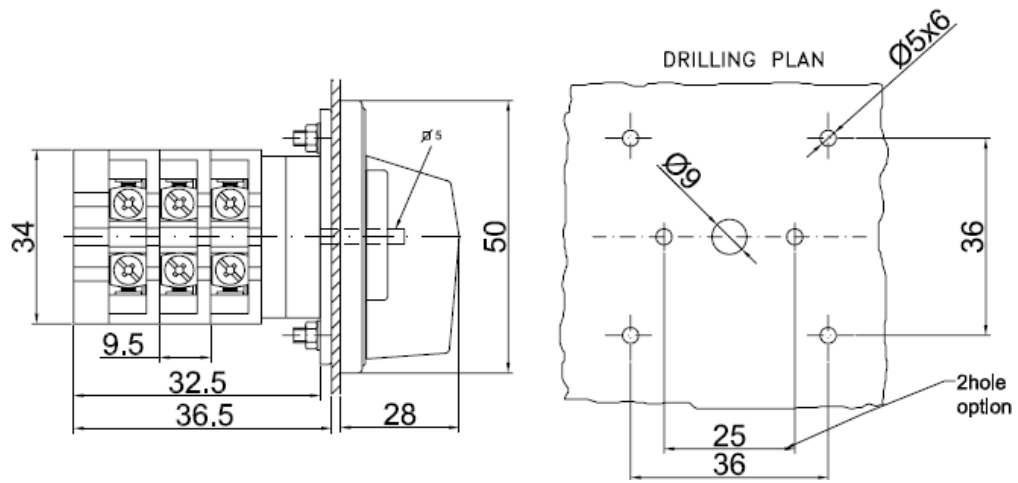
Accessories

STD accessories

You will find detailed information about our products on our web site www.gtswitches.com

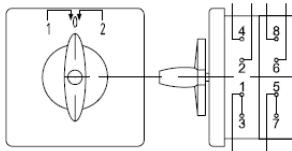
	Cam Switch T-0000600406ENRD11	GEM TELERGON. Data subject to change without notice (printed: 19.08.14)
---	---	---

Dimension



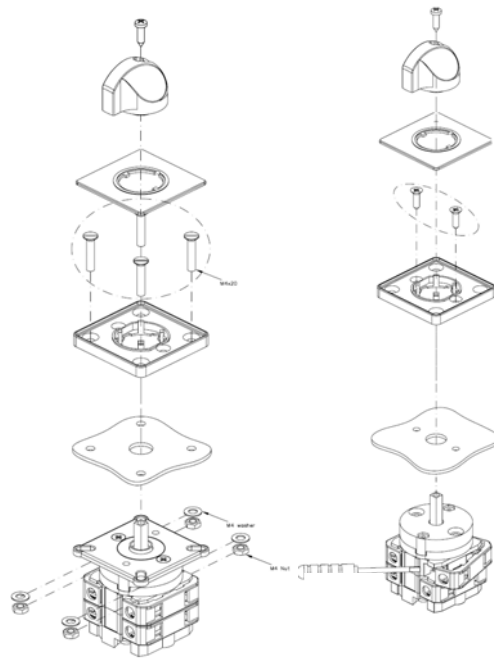
Electrical diagram & Fixing

ELECTRICAL DIAGRAM



	1	0	2
1 — 2	X		
3 — 4			X
5 — 6	X		
7 — 8			X

Ref: 6A 406
 2 Pole CHO Switch
 2 break chambers



You will find detailed information about our products on our web site www.gtswitches.com



Cam Switch
 T-0000600406ENRD11

GEM TELERGON.
 Data subject to change without
 notice (printed: 19.08.14)