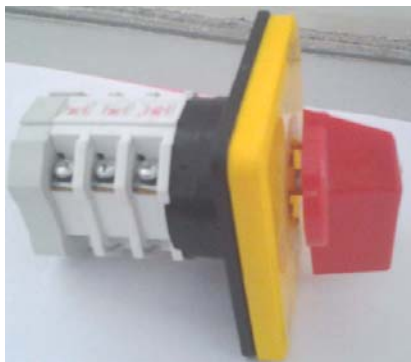


Data sheet:**Cam switch AC****Model 6A***Picture is an examples***Standards: IEC 60947-1 & 3****Quality**

ISO 9001:2008

**Electrical data (according to IEC 60947-3)**

Thermal current I_{th}	12A
---------------------------------------	------------

Rated insulation voltage U _i	500V
---	------

Rated impulse withstand voltage U _{imp}	4KV
--	-----

Ac rated operational current	I_e
-------------------------------------	----------------------

415V	AC21A	6A
------	-------	----

415V	AC22A	9A
------	-------	----

AC Rated operational power

Voltage	Category of operation	Pe.
----------------	------------------------------	------------

3x240V	AC23A	1.5
--------	-------	-----

3x415V	AC23A	2
--------	-------	---

3x415V	AC3	1.5
--------	-----	-----

Short-circuit behaviour

Rated breaking capacity(400V:PF.45)	I _{cm}	-
-------------------------------------	-----------------	---

Short-time withstand current (1 sec) (rms)	I _{cw}	-
--	-----------------	---

Conditional short-circuit current (rms value)		3KA
---	--	-----

Rated max.current of gL-gG fuses		6A
----------------------------------	--	----

Mechanical durability (In millions)		1
-------------------------------------	--	---

Connection capacity

Rigid copper conductor (mm ²)	0.7-1.5
---	---------

Flexible copper conductor (mm ²)	0.7-1.5
--	---------

Codes

Case size (A)	Scheme	Code	Special
Size 00	3P 3W with off	T-0000600431ENRD14	N/A

Accessories

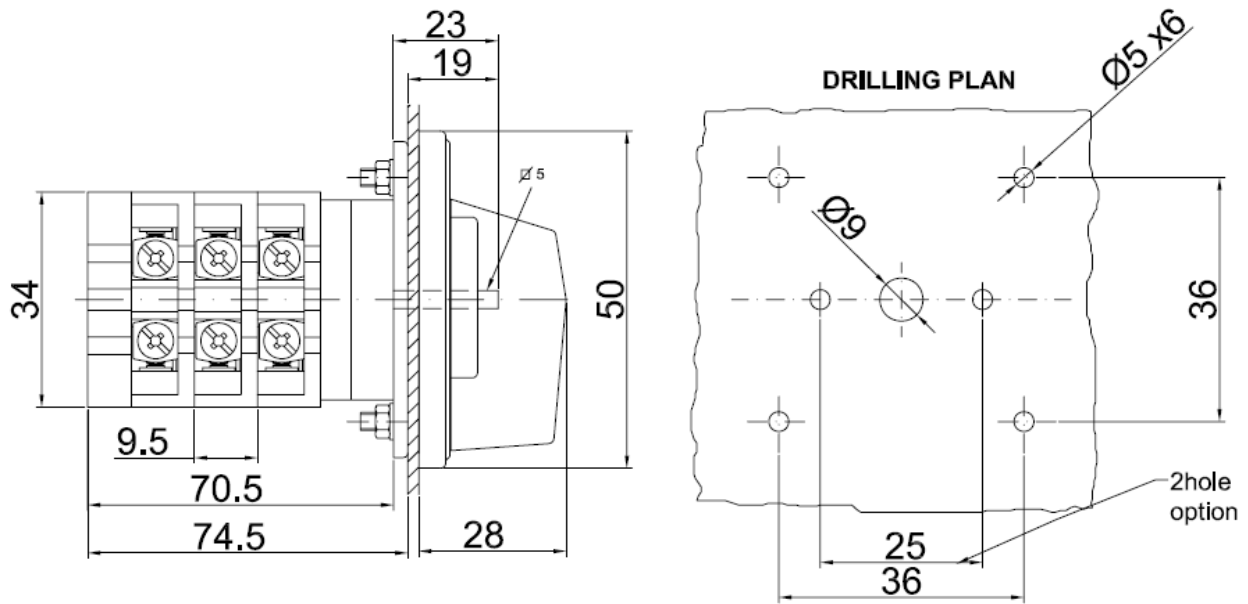
STD accessories

You will find detailed information about our products on our web site www.gtswitches.com

Cam Switch
T-0000600431ENRD14

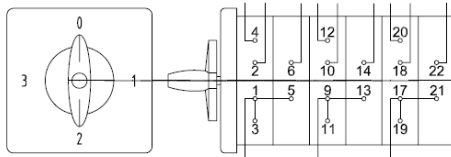
GEM TELERGON.
 Data subject to change without
 notice (printed:29.04.14)

Dimension



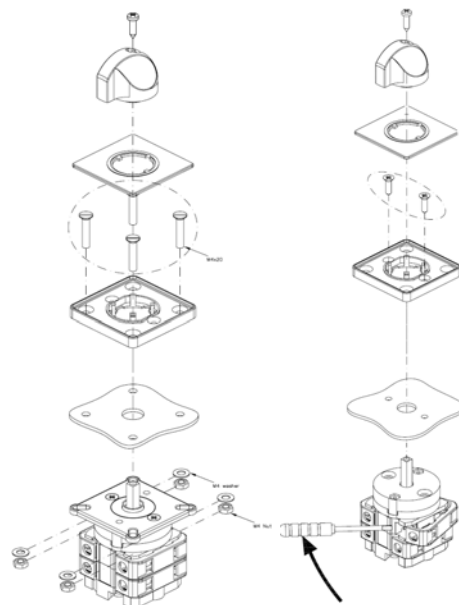
Electrical diagram & Fixing

ELECTRICAL DIAGRAM No



	0	1	2	3
1 = 2		X		
3 = 4				X
5 = 6			X	
9 = 10		X		
11 = 12				X
13 = 14			X	
17 = 18		X		
19 = 20				X
21 = 22			X	

Ref: 6A 431
 3P 3W With off
 6 break chambers



You will find detailed information about our products on our web site www.gtswitches.com



Cam Switch
T-000600431ENRD14

GEM TELERGON.
 Data subject to change without
 notice (printed:29.04.14)