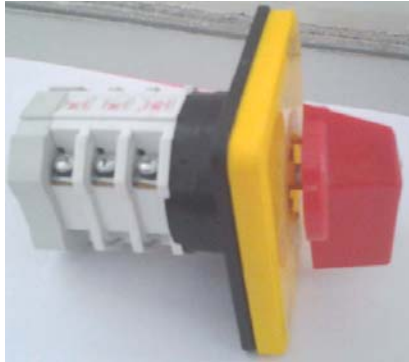


Data sheet:**Cam switch AC
Model 6A***Picture is an examples***Standards: IEC 60947-1 & 3
Quality**

ISO 9001:2008



ISO 9001:2008

www.tuv.com
ID 9105034949**Electrical data (according to IEC 60947-3)**

Thermal current I_{th}	12A
Rated insulation voltage U _i	500V
Rated impulse withstand voltage U _{imp}	4KV

Ac rated operational current	I_e
415V AC21A	6A
415V AC22A	9A

AC Rated operational power	Category of operation	P_e
3x240V	AC23A	1.5
3x415V	AC23A	2
3x415V	AC3	1.5

Short-circuit behaviour

Rated breaking capacity(400V:PF.45)	I _{cm}	-
Short-time withstand current (1 sec) (rms)	I _{cw}	-
Conditional short-circuit current (rms value)		3KA
Rated max.current of gL-gG fuses		6A
Mechanical durability (In millions)		1

Connection capacity

Rigid copper conductor (mm ²)	0.7-1.5
Flexible copper conductor (mm ²)	0.7-1.5

Codes

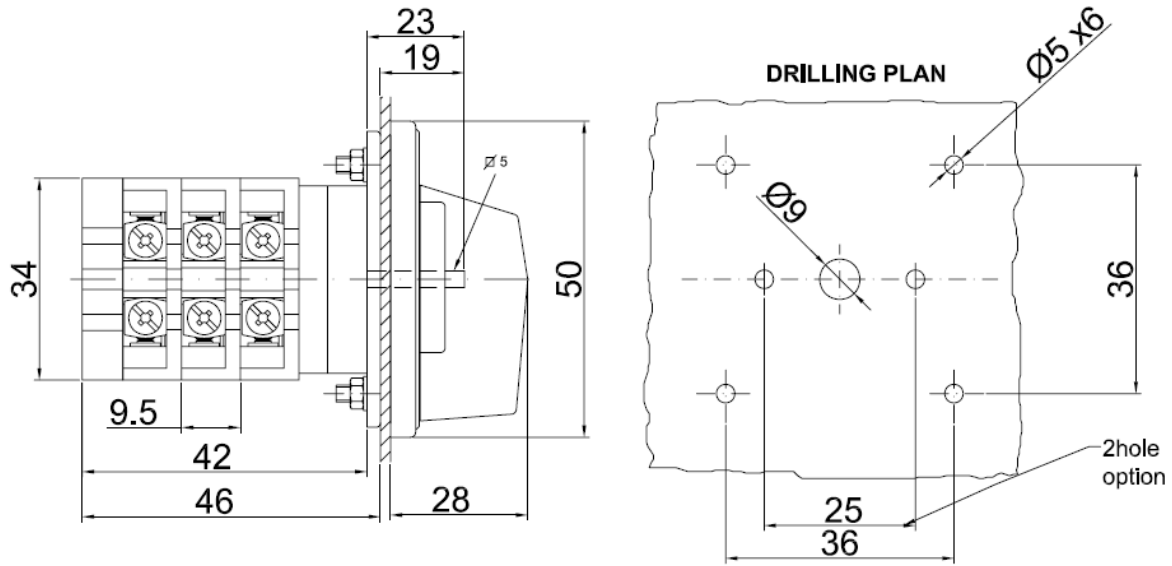
Case size (A)	Scheme	Code	Special
Size 00	VSS	T-000600701ENRD14	N/A

Accessories

STD accessories

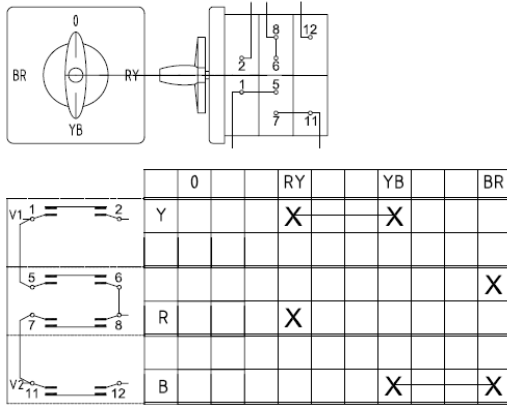
You will find detailed information about our products on our web site www.gtswitches.com**Cam Switch
T-000600701ENRD14**GEM TELERGON.
Data subject to change without
notice (printed: 23/01/2014)

Dimension

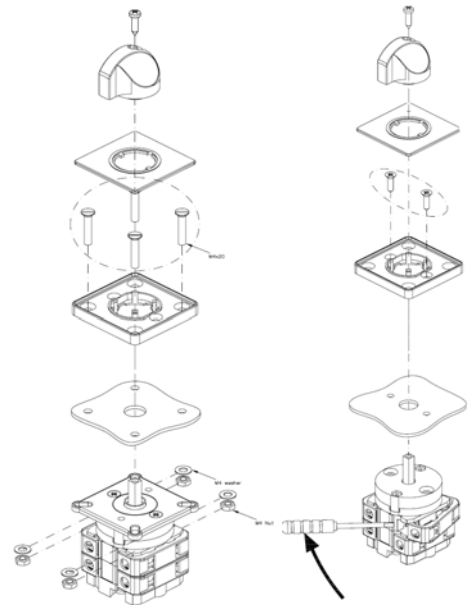


Electrical diagram & Fixing

ELECTRICAL DIAGRAM No



Ref: 6A 701
VSS Switch
3 break chambers



You will find detailed information about our products on our web site www.gtswitches.com