

Cam switch AC
Model T63



Picture is an examples

Standards: IEC 60947-1 & 3
Quality

ISO 9001:2008		ISO 9001:2008 www.tuv.com ID 9105072142
---------------	--	---

Thermal current Ith	80A
Rated insulation voltage Ui	690V
Rated impulse withstand voltage Uimp	8KV

Ac rated operational current	Ie
415V AC21A	80A
415V AC23A	63A
690V AC21A	80A

AC Rated operational power	Pe.	
Voltage	Category of operation	
3x240V	AC23A	22
3x415V	AC23A	37
3x415V	AC3	30

Short-circuit behaviour	
Rated breaking capacity(400V:PF.45)	504A
Short-time withstand current (1 sec) (rms)	1600A
Conditional short-circuit current (rms value)	15KA
Rated max.current of gL-gG fuses	80A
Mechanical durability (In millions)	1

Connection capacity	
Rigid copper conductor (mm ²)	16/25
Flexible copper conductor (mm ²)	10/16

Codes

Case size (A)	Scheme	Code	Color	Special
Size 2	3P ISO	T-0006330047C	Black	Inter lock mechanism

Accessories
STD accessories

You will find detailed information about our products on our web site www.gtswitches.com

	AC & DC Switch T-0006330047	GORLAN INDIA. Data subject to change without notice (printed: 27.11.2015)
--	--	---

Model TFG DC21B 60A 1000V 3+1 2 string



Picture is an examples

Electrical data (according to IEC 60947-3)

Thermal current I_{th}	50A	
Rated insulation voltage U _i (V)	1500	
Rated impulse withstand voltage U _{imp} (kV)	6	
DC Rated operational current I_e (A)		
Voltage (DC)	Category of operation	I_e
1000 V	DC21B	60

** Please consult for other voltages and/or category of operation

Standards: IEC 60947-1 & 3 Quality

ISO 9001:2008



ISO 9001:2008

www.tuv.com
ID 9105072142

Testing as per IEC 60947-3. Approvals

Austrian Institute of
Technology



Short-circuit behaviour

Short-circuit making capacity (peak value)	I _{cm}	300A
Short-time withstand current (1 sec) (rms)	I _{cw}	300A
Short-time withstand current (1 hour) (I _{th} *1.25)		62.5A
Conditional short-circuit current (rms value)		N/A

Connection capacity

Rigid or Flex cable -w/o Sleeve (mm ²)	2x6
Rigid or Flex cable -with Sleeve (mm ²)	2x4
Crimp fork lug width (mm)	Min 6 - Max 10
Crimp fork lug Thick (mm)	Min 0.5 - Max 2
Fork lug (mm ²)	Type: ANE2U4 10
Fork lug (mm ²)	Type: ANE3U4 16
Tightening torque (Nm)	1.5-2

Mechanical data

Minimum number of operations (as per standard) without load	30000
Maximum weight (kg)	xxxx

Codes

Case size (A)	Scheme	Code	Special
Size 0	3+1	TFG1031(2)E30047	Inter lock mechanism

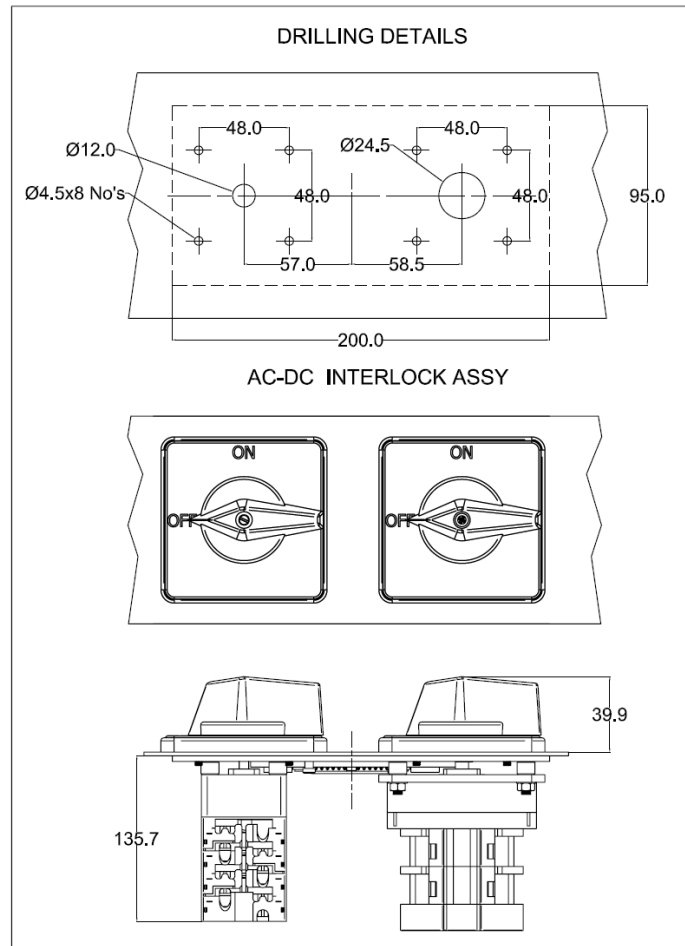
Accessories

STD accessories

You will find detailed information about our products on our web site www.gtswitches.com

	AC & DC Switch T-0006330047	<i>GORLAN INDIA.</i> <i>Data subject to change without notice (printed: 27.11.2015)</i>
--	--	--

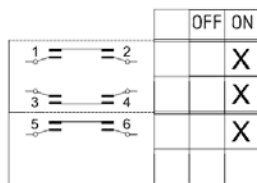
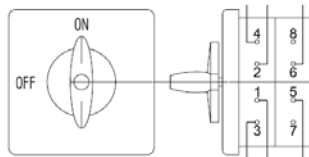
Dimension



Electrical diagram

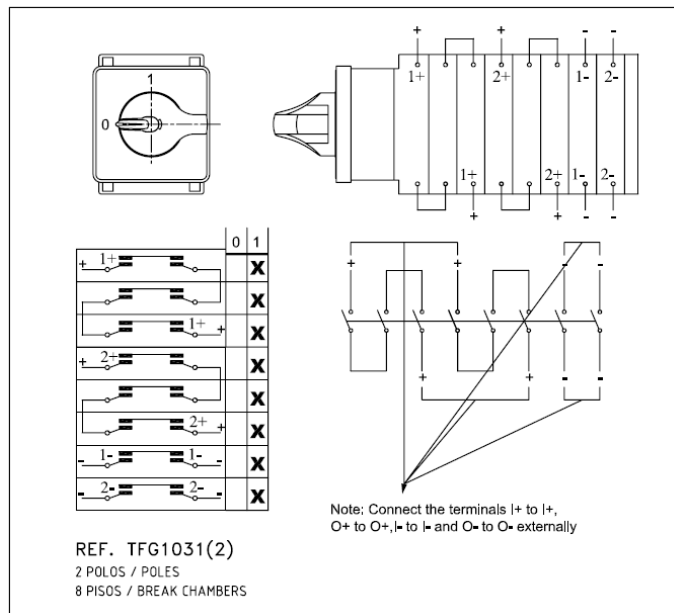
AC Switch

ELECTRICAL DIAGRAM No



Ref:T63 30047
3 Pole ON-OFF
2 break chambers

DC Switch



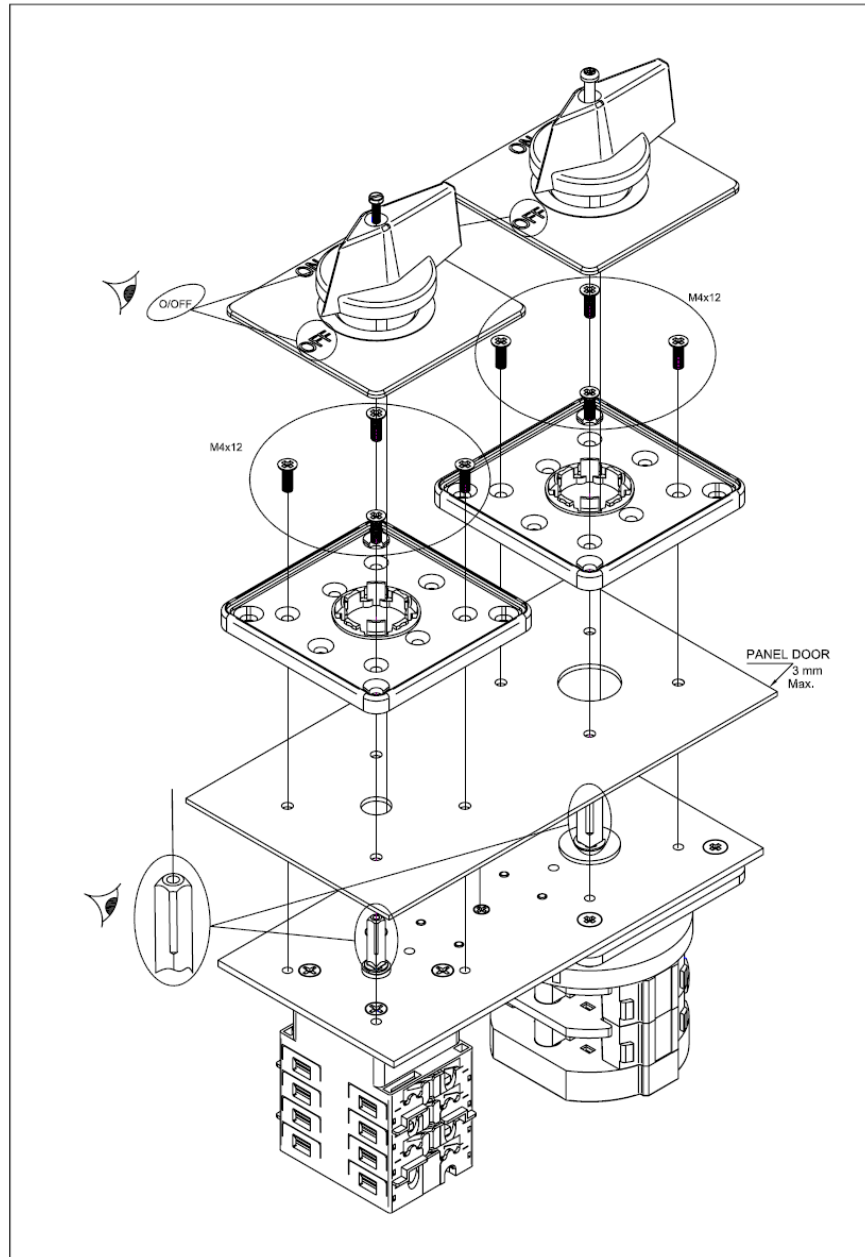
REF. TFG1031(2)
2 POLOS / POLES
8 PISOS / BREAK CHAMBERS

You will find detailed information about our products on our web site www.gtswitches.com



AC & DC Switch
T-0006330047

GORLAN INDIA.
Data subject to change without
notice (printed: 27.11.2015)



You will find detailed information about our products on our web site www.gtswitches.com



AC & DC Switch
T-0006330047

GORLAN INDIA.
Data subject to change without
notice (printed: 27.11.2015)